

PPC-70T 7.0" Low power , fanless 300Mhz All-in-One TFT LCD Panel PC



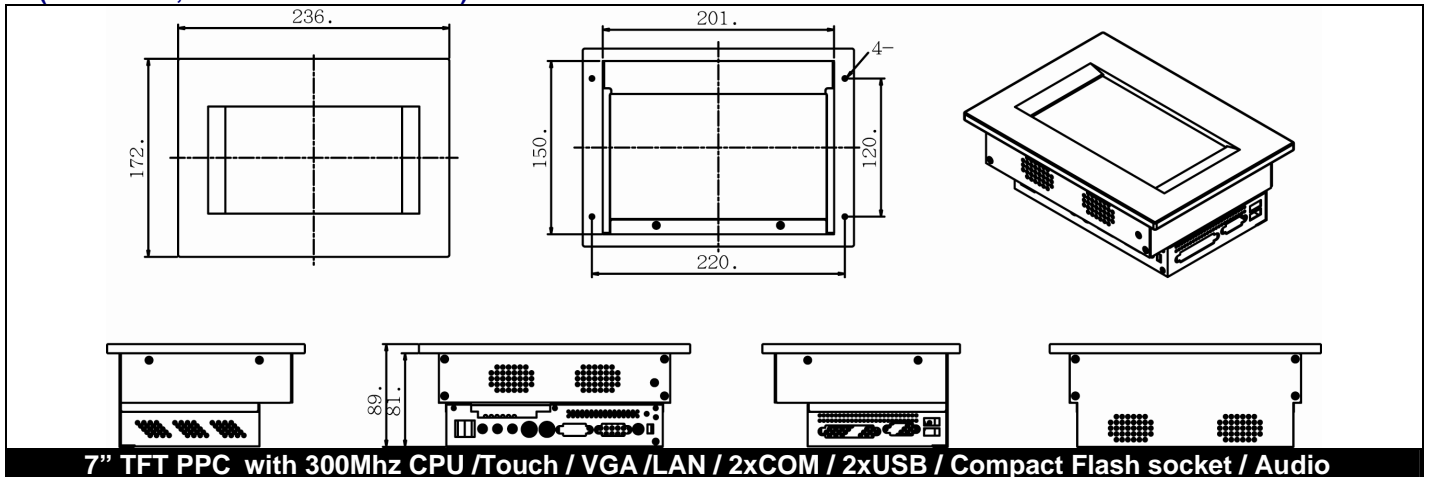
Aluminum-alloy Front Bezel
(Silver color, i.e. Stainless steel color)



Side View



Rear View



7" TFT PPC with 300Mhz CPU /Touch / VGA /LAN / 2xCOM / 2xUSB / Compact Flash socket / Audio

General specifications

Display

7" color TFT high brightness, high resolution 800x600

Display Type

Japan Panasonic 16:9 new generation TFT LCD panel

Luminance

200-250 cd/m2 high brightness luminance

CPU

Low power Fanless NS Geode GX1 300Mhz CPU

System Chipset

NS Geode CX-5530A Chipset

Front Bezel

Thick 10mm Aluminum-alloy hairline anodizing treatment front bezel

Housing & Wall-mounting

Rugged steel metal sheet with white painting

Surface Treatment of Front Panel

Super high-end hairline anodizing treatment

Standard colors

Stainless Steel Color (i.e. Silver color).

Front Panel Protection

Meet NEMA 4, 12 and IP65, 56 water resistant EIA standard

System Memory : (Optional)

Support up to 256MB SO-DIMM memory

PCMCIA

1 PCMCIA Slot, support 56k modem and wireless

Compact Flash socket

1 Compact Flash socket for system boot or storage purpose

DiskOnModule or Compact Flash (optional)

Support DOM up to 512MB or CF up to 512MB

DiskOnChip(optional)

Support M-System's DOC up to 288MB

System Memory (Optional)

Support up to 512MB capacity RAM.

HDD (Optional)

2.5" slim type 20~30 GB HDD for optional extra cost

Serial port

2 x COM ports (2 x RS232 ports)

USB

2 x USB ports

Parallel Port

1 x LPT port for Printer connection.

Keyboard

One PS/2 keyboard port

Vibration: 5-17Hz, 0.1"double amplitude displacement 17-500Hz, 1.5G acceleration peak to peak

Shock : 10G acceleration peak to peak (11ms)

Mouse

One PS/2 Mouse port

Audio

Microphone, Speaker, Line-in connectors

Network Interface Controller

Chipset

Realtek 8139C ,support 10/100 Mbp, auto-negotiation ,auto-switch LAN

Display Controller Chipset

CX-5530 with 4MB SMA video RAM

Touch Panel (Optional)

Long-life 4-wire resistive Touch screen

Environmental and Power

Power Requirements

External +12V UL / CE safety approved power adapter

Dimension (W x H x D)

236W x172 H x 88.8 D mm

Operating Temperature

0 to 55°C (32 to 131°F)

Ordering information

PPC-70

300Mhz CPU, VGA, Ethernet, Audio ,Compact Flash Socket, USB

PPC-70T

same as PPC-70 plus Touch-Screen

Color : Silver or Black